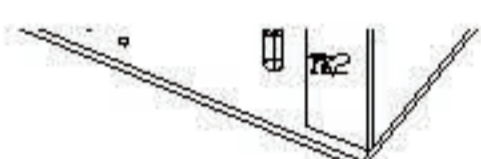
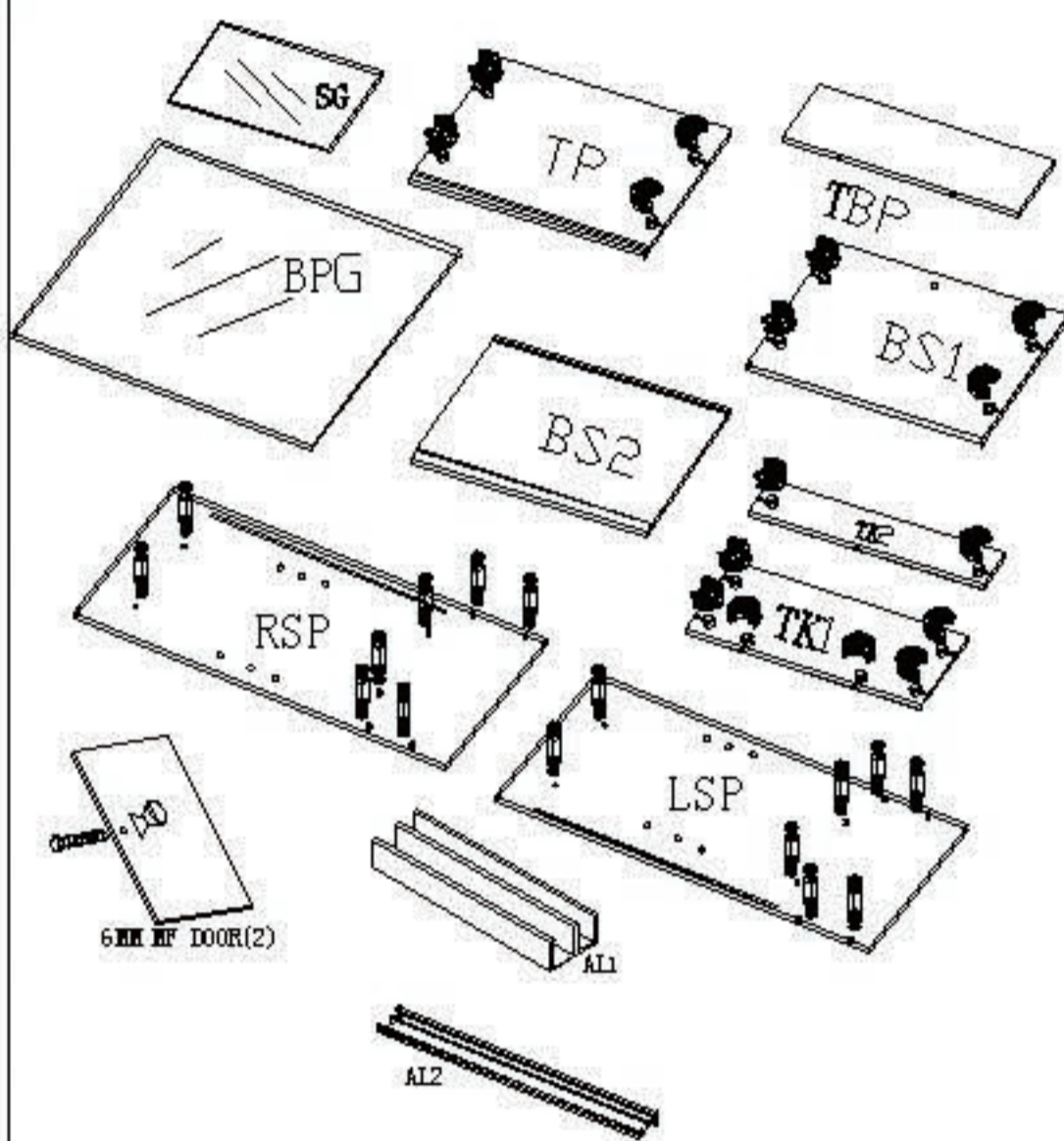


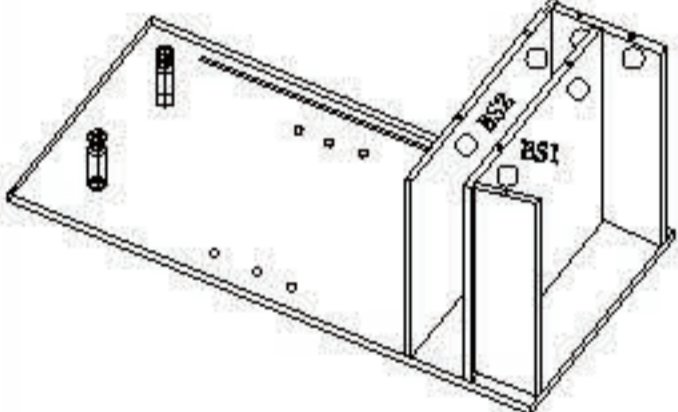
NOTE: It is recommended that two persons assemble this unit

ASSEMBLY INSTRUCTIONS

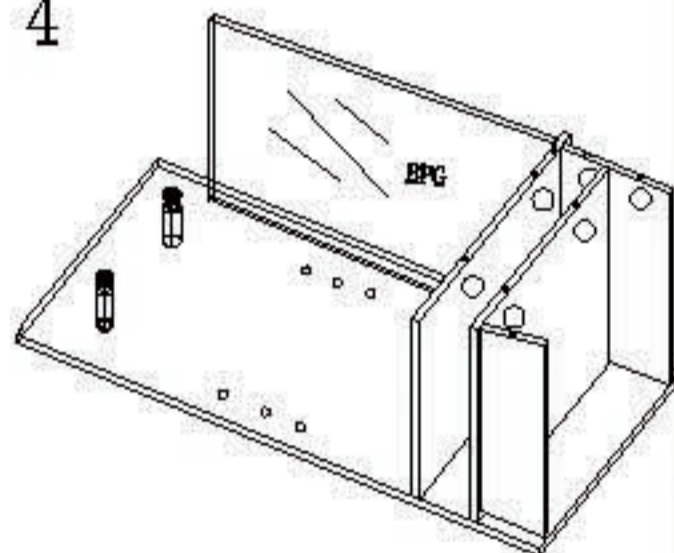
PARTS LIST



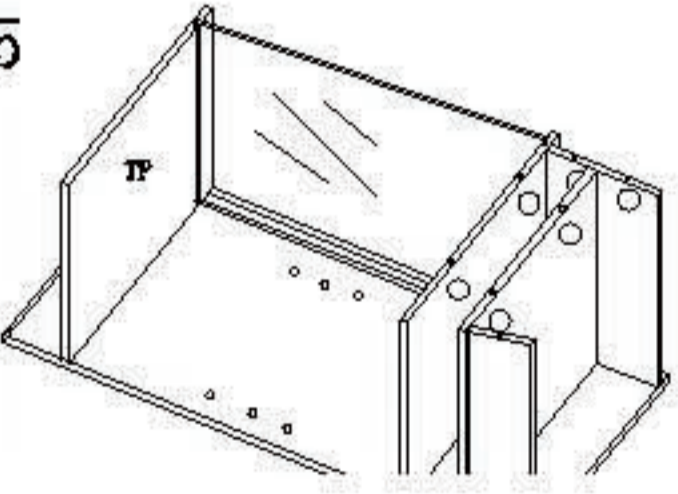
3



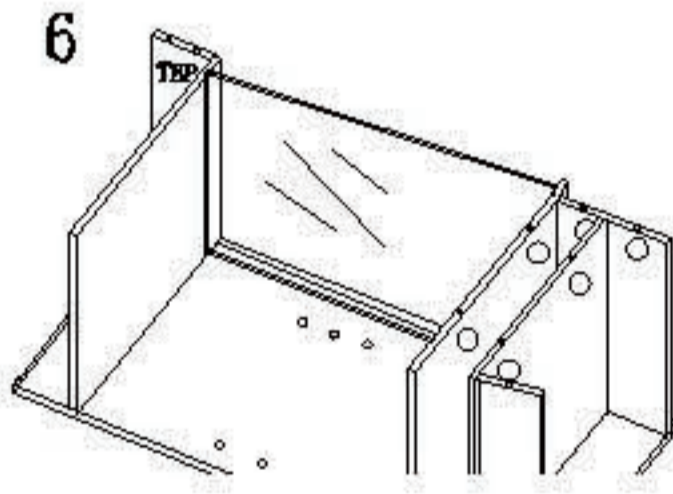
4



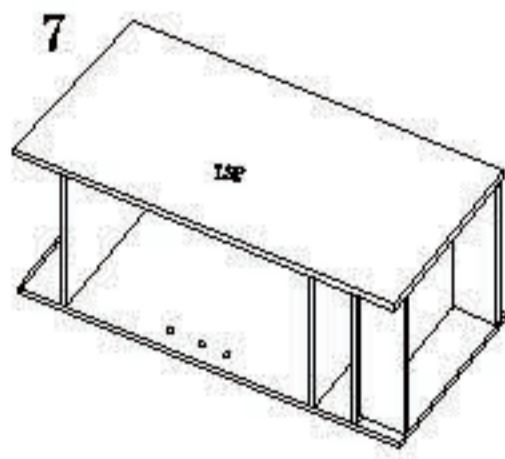
5



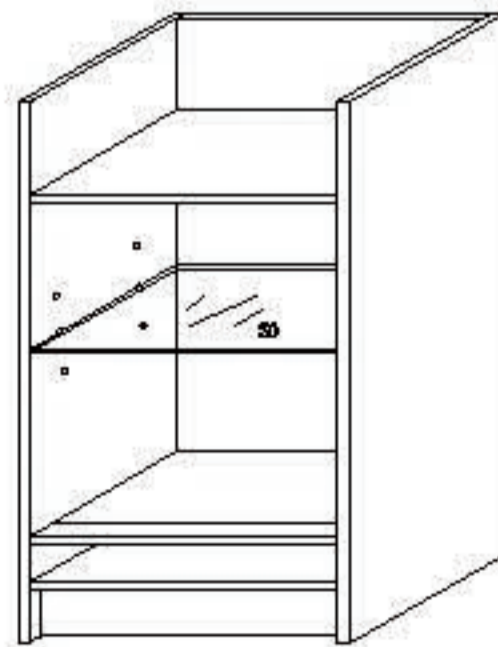
6



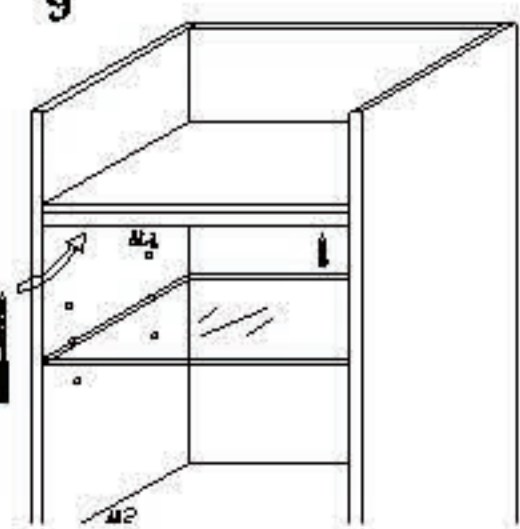
7



8



9



10

